

特徴 / Features

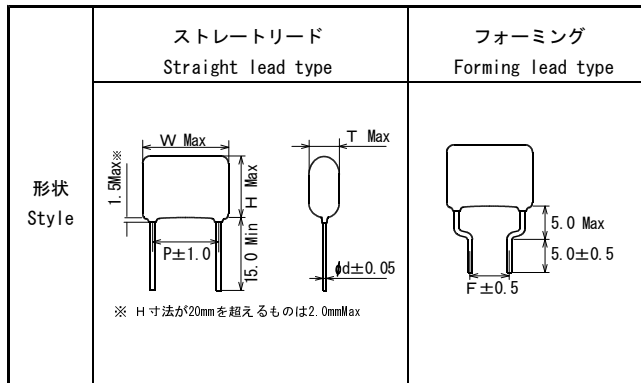
- 低損失。
- 高周波高電圧回路用。

- ★Low dissipation factor.
- ★High voltage circuit for high frequency

規格 / Specifications

使用温度範囲 Temp. range	-40~105°C
定格電圧 Rated voltage	2000, 3000Vdc
静電容量 Capacitance	2000Vdc 0.01, 0.047 μ F 3000Vdc 0.0024~0.0082 μ F
静電容量許容差 Cap. tolerance	±5% (J)
誘電正接 Tangent of loss angle	0.0010 _{0.1} ¹⁰ T _{ass} (at 1kHz)
耐電圧 Voltage Proof	2000Vdc 2000Vac 1min. 3000Vdc 4500Vdc 10sec
絶縁抵抗 Insulation resistance	30,000M Ω _{0.1} ¹⁰ more

寸法 / Dimensions (mm)



Rated Voltage	Cap. CODE	Cap (μ F)	外形寸法 (mm)					
			W	H	T	P	F	ϕ d
2000Vdc	103	0.01	18.5	18.0	11.0	15.0	-	0.8
	473	0.047	27.0	21.5	12.0	24.0	-	0.8
3000Vdc	242	0.0024	26.0	15.5	7.0	22.5	22.5	1.0
	392	0.0039	26.0	15.5	7.5	22.5	22.5	1.0
	432	0.0043	26.0	15.5	8.5	22.5	22.5	1.0
	562	0.0056	26.0	14.5	7.5	22.5	22.5	1.0
	822	0.0082	26.0	15.5	9.0	22.5	22.5	1.0